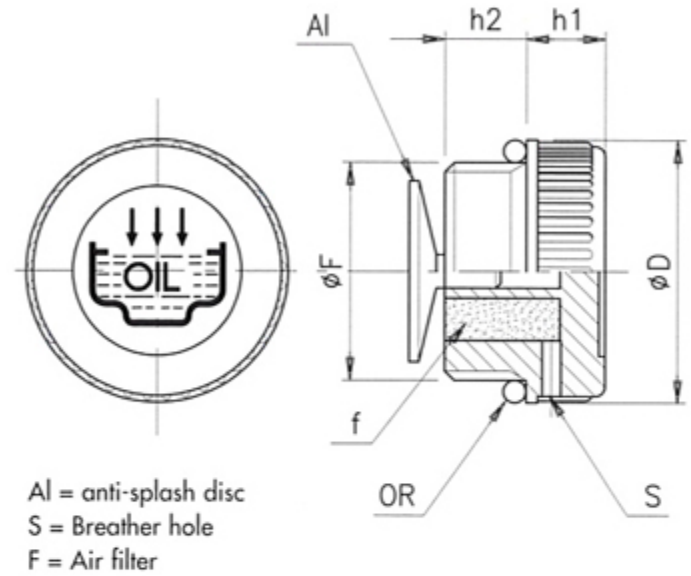


TCSZA - KNURLED OIL FILL PLUGS WITH BREATHER AND ANTI-SPLASH DISC
TCSZF - KNURLED OIL FILL PLUGS WITH BREATHER, FILTER AND ANTI-SPLASH DISC



Cod.	F	D	h2	h1
TCSZA-14	G 1/4"	20	9	9
TCSZA-38	TCSZF-38 G 3/8"	20,5	10	9
TCSZA-12	TCSZF-12 G 1/2"	28	10,5	10,5
TCSZA-34	TCSZF-34 G 3/4"	31	11	12
TCSZA-1	TCSZF-1 G 1"	39	12	12
TCSZA-114	TCSZF-114 G 1 1/4"	49	13,5	13
TCSZA-14.15	M14x1,5	20	9	9
TCSZA-16.15	TCSZF-16.15 M 16x1,5	20	10	9
TCSZA-18.15	TCSZF-18.15 M 18x1,5	28	10	10,5
TCSZA-20.15	TCSZF-20.15. M 20x1,5	28	10	10,5
TCSZA-22.15	TCSZF-22.15. M 22x1,5	28	11	10,5

-Threaded plugs with knurled head in thermoplastic material (Polyamide 66) ensuring high mechanical resistance at both low and higher temperatures (**max operating temp. 100°C (212 F)**) , dimensional stability and shock resistance

Production colour : black

-O-Ring NBR 70 shore oil resistant seal

-The filler plugs style TCSZA-TCSZF are marked on the

top with the UNI fill symbol and the word OIL, the breather hole is located on the side of the knurled rim, having a diameter from 2 to 3,5 mm, depending on the size of the plug.

-The incorporated anti-splash disc, positioned under the thread, will reduce spillage when strong oil movement in the container or reservoir takes place.

-The polyurethane foam filter element prevents contaminations from the atmosphere polluting the oil.